

NAME \_\_\_\_\_ TARGET \_\_\_\_\_

**JITEGEMEA HIGH SCHOOL**

**AGRICULTURE**

**FORM 4**

**CAT II – TERM 1 2017**

1. State **Four** functions of water in the livestock body (2mks)

2. Distinguish between raddling and ringing as used in livestock production. (2mks)

3. State a function for each of the following parts in the chicken digestive system (1 ½)

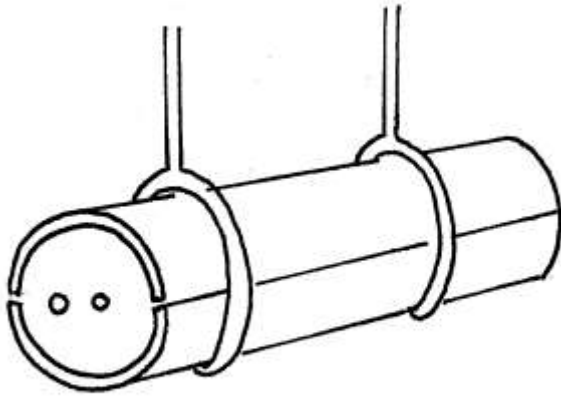
i) Crop

ii) Proventriculus

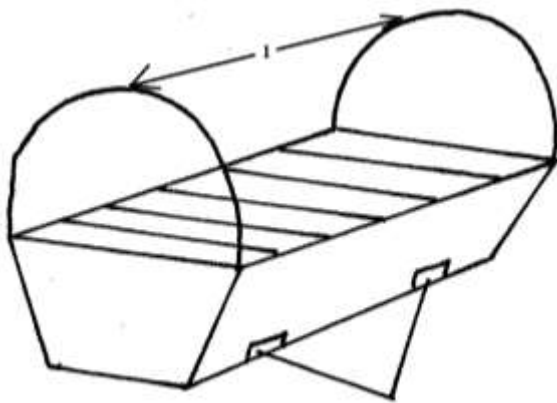
iii) Gizzard

- b) Name the digestive juice secreted in the stomach of a ruminant animal (½mk)
4. Give two advantages of debeaking in poultry. (1mk)
5. a) Distinguish between inbreeding and line breeding (1mk)
- b) Give two advantages of cross breeding (1mk)
6. List two advantages of embryo transplants in livestock production (1mk)

7. Diagrams M, N, P and Q show some structures used in apiculture. Use them to answer the Questions that follow.

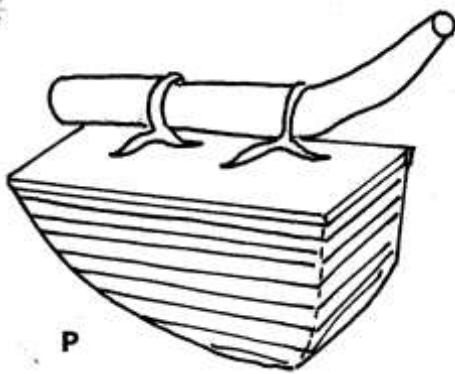


M

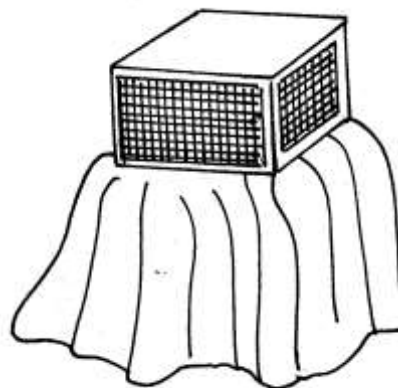


N

2



P



Q

a) Identify the structures labeled M, N, P and Q (2mks)

M

N

P

Q

b) State the uses of equipment's P and Q. (2mks)

P

Q

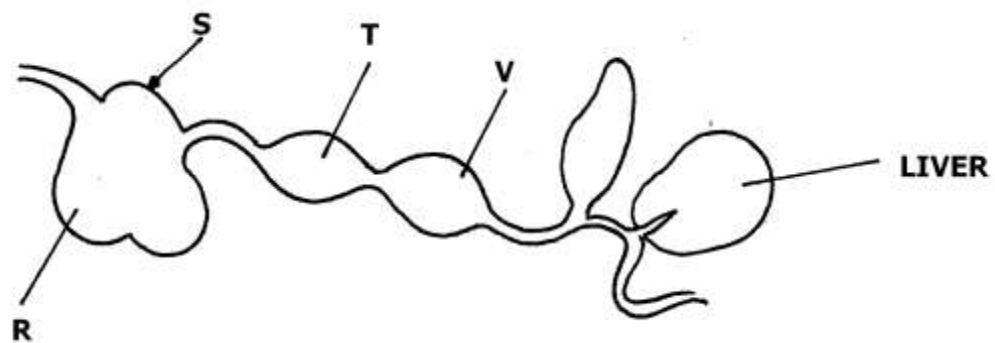
c) State two advantages structures N has over structure M. (2mks)

d) State the uses of the parts labeled 1 and 2 on structure N. (2mks)

1

2

8. The diagram below illustrates the digestive system system of a ruminant



a) Identify the parts labeled S and T (2mks)

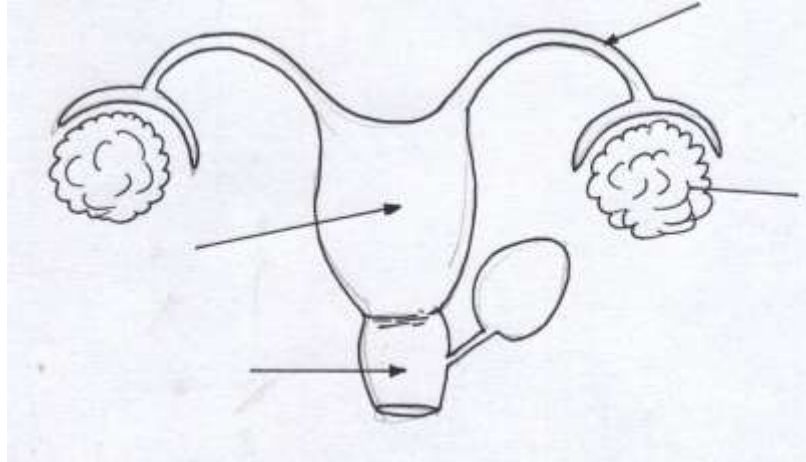
S

T

b) Name any two digestive processes taking place at the marked R (1mk)

c) Name two enzymes secreted in the part labeled V (1mk)

9. The diagram below illustrates the reproductive system of a farm animal. Study it and answer the questions that follow



i. Name the parts labeled A, B, C and D (2mks)

A

B

C

D

ii. State the functions of the parts labeled A and B (2mks)

A

B

(b) Give four signs of Oestrus in cows (2mks)

(c) State four disadvantages of natural mating in dairy production (4mks)

10. Explain FIVE factors considered when locating The Farmer's Living House  
(10mks)

11. Give the reasons for breeding in livestock. (2mks)

12. List four the materials used in making walls of farm buildings. (2mks)

13. Give **one** use of a screen in a fish pond. (1mk)

14. State **two** methods of service in livestock. (1mk)

15. The diagram X and Y below show the hooves of sheep.



a) Which one of the two hooves would be more susceptible to foot-rot disease? (1mk)

b) What routine management practice is required on the hoof to control foot rot? (1mk)

c) State the major symptoms of hoof rot. (2mks)

16. a) The illustrations below labeled V, W, and X show three different ways some hens were debeaked.



i) Which hen is correctly debeaked? (1mk)

ii) State two reasons for your choice in (i) above. (1mk)

b) Name any two tools which would be used for debeaking. (2mks)

17. State two characteristics of the African wild bee, which makes it better in bee keeping than European bee. (2mrk)

18. Differentiate between flushing and steaming up in livestock production. (2mrk)