

000406144

**312/2**  
**GEOGRAPHY**  
**Paper 2**  
**Oct./Nov. 2008**  
2¾ hours

**THE KENYA NATIONAL EXAMINATIONS COUNCIL**

**Kenya Certificate of Secondary Education**

**GEOGRAPHY**

**Paper 2**

2¾ hours

**Instructions to candidates**

*This paper has two sections: A and B.*

*Answer **all** the questions in section A. In section B answer **question 6** and any other **two** questions.*

*All answers must be written in the answer booklet provided.*



**This paper consists of 7 printed pages.**

**Candidates should check the question paper to ascertain that all the pages are printed as indicated and no questions are missing.**

**SECTION A**

*Answer all the questions in this section.*

1. State **four** characteristics of shifting cultivation. (4 marks)
2. Give the difference between softwood forests in Kenya and Canada under the following sub-headings:
  - (a) distribution of softwood forests; (2 marks)
  - (b) transportation of the logs. (2 marks)
3. (a) Differentiate between land reclamation and land rehabilitation. (2 marks)  
(b) State **two** ways in which each of the following problems experienced at the Mwea Irrigation Scheme can be solved:
  - (i) low prices of rice; (2 marks)
  - (ii) fluctuating water levels in the irrigation canals. (2 marks)
4. Give **five** reasons why it is necessary to conserve wildlife in Kenya. (5 marks)
5. (a) State **two** economic benefits of the Common Market for Eastern and Southern Africa (COMESA) to the member countries. (2 marks)  
(b) Give **four** factors that limit trade among countries of Eastern Africa. (4 marks)

## SECTION B

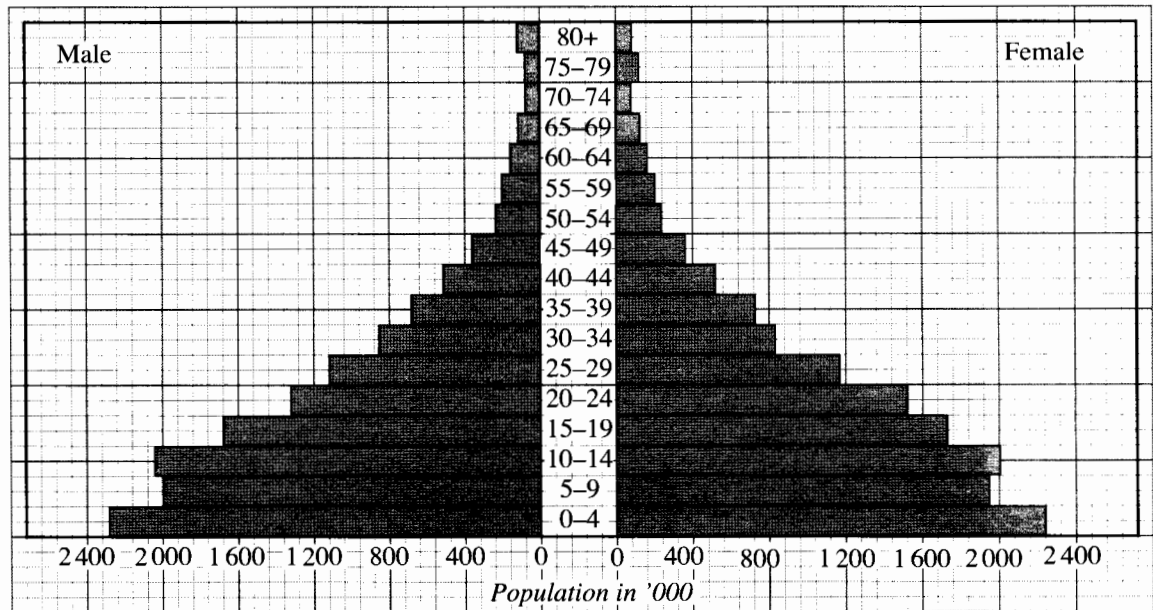
Answer question 6 and any other two questions from this section.

6. The photograph below shows cattle rearing in an area in Kenya. Use it to answer question (a).



- (a) (i) Identify the type of photograph. (1 mark)
- (ii) Describe the features shown on the photograph. (3 marks)
- (iii) What three indicators show that the area was experiencing drought when the photograph was taken? (3 marks)
- (b) Discuss nomadic pastoralism in Kenya under the following sub-headings:
- (i) the cattle breeds kept; (2 marks)
- (ii) the pattern of movement; (2 marks)
- (iii) marketing of the animals. (3 marks)
- (c) (i) Give three reasons why nomadic pastoralists keep large herds of animals. (3 marks)
- (ii) Explain four measures taken by the government of Kenya to improve beef cattle farming. (8 marks)

7. (a) (i) Give **two** documents from where information on population data is obtained. (2 marks)
- (ii) The pyramid below represents population structure of Kenya.



*Population by age and sex, 1999 (absolute values)*

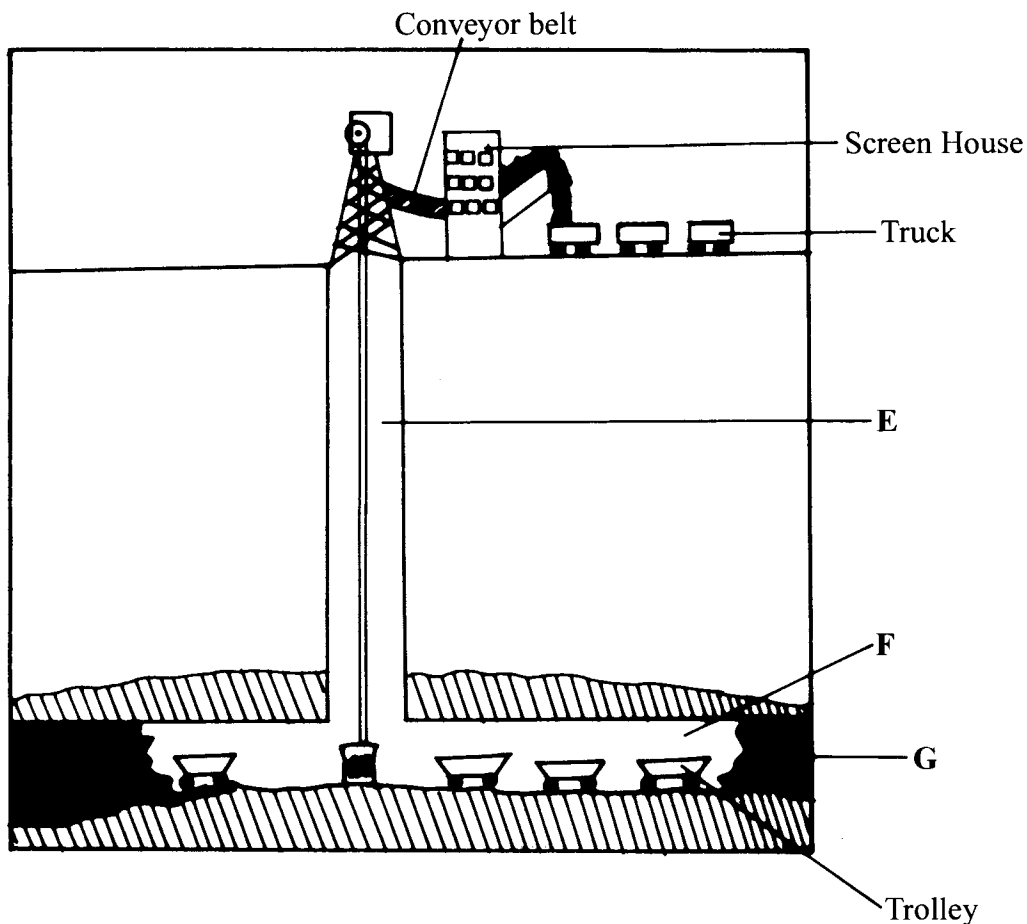
- Describe the characteristics of the population as represented by the pyramid. (3 marks)
- (b) (i) In 1989 Kenya's population was 21.4 million while in 1999 it was 28.7 million. Calculate the population growth rate over the 10 year period. (Show your calculations) (2 marks)
- (ii) Explain **two** factors which may have led to the large population increase between 1989 and 1999 (4 marks)
- (c) Explain **three** consequences of high population growth rate. (6 marks)
- (d) Explain **four** physical factors that influence population distribution in East Africa. (8 marks)

8. (a) The table below shows the quantity of minerals produced in Kenya in tonnes between years 2001 and 2005. Use it to answer questions (a) (i) and (ii).

Mineral/Years	2001	2002	2003	2004	2005
Soda ash	297,780	304,110	352,560	353,835	360,161
Fluorspar	11,885	85,015	80,201	117,986	109,594
Salt	5,664	18,848	21,199	31,139	26,595
Others	6,093	7,000	4,971	6,315	8,972

Source: *Economic Survey 2006*

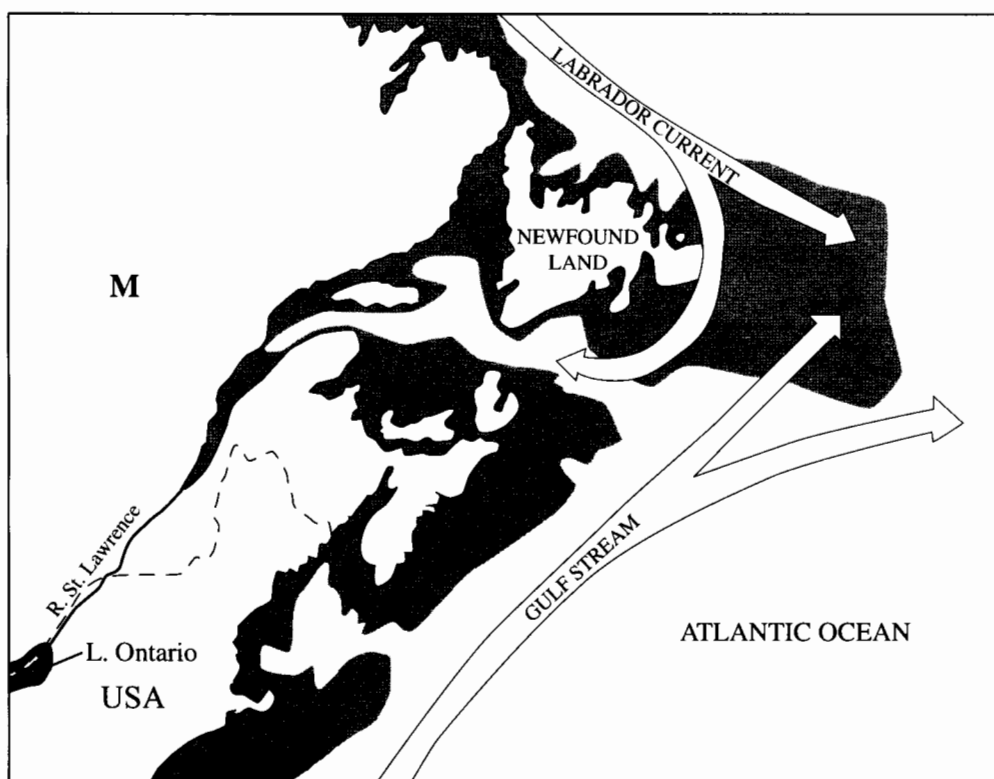
- (i) Calculate the average annual production of soda ash over the 5 year period. (2 marks)
- (ii) Calculate the total mineral production for the year 2003. (1 mark)
- (iii) Give **three** uses of Soda Ash. (3 marks)
- (b) The diagram below shows shaft mining.



- (i) Name the parts marked E, F and G. (3 marks)
- (ii) State **two** problems associated with shaft mining. (2 marks)

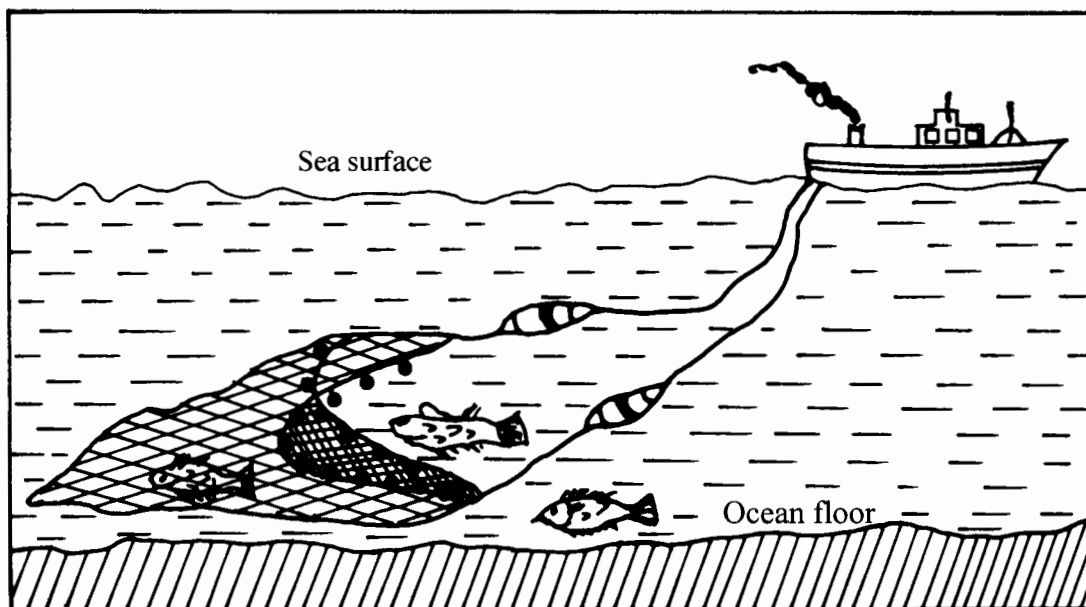
- (c) Explain **four** ways in which gold mining has contributed to the economy of South Africa. (8 marks)
- (d) Explain **three** negative effects of mining on the environment. (6 marks)
9. (a) State **three** physical conditions that favour large scale sugarcane farming in Kenya. (3 marks)
- (b) Describe the cultivation of sugarcane in the lake region of Kenya from the preparation of land to the harvesting stage. (6 marks)
- (c) Explain **five** problems facing sugarcane farming in Kenya. (10 marks)
- (d) Your class visited a sugar factory for a field study on sugar processing.
- (i) Outline **four** stages of sugar processing that the class may have observed. (4 marks)
- (ii) Name **two** by-products of sugar that the class may have identified during the study. (2 marks)
10. Use the map of North-West Atlantic below to answer questions (a) and (b).

#### NORTH-WEST ATLANTIC FISHING GROUNDS



Key	
— — —	International boundary
⇒	Ocean current

- (a) (i) Name the country marked **M**. (1 mark)
- (ii) Explain how the two ocean currents shown on the map influence fishing in the area. (4 marks)
- (b) Explain **three** factors that favour fishing in the area shaded on the map other than ocean currents. (6 marks)
- (c) Explain why in East Africa, fresh water fishing is more developed than marine fishing. (6 marks)
- (d) The diagram below shows a fishing method.



- (i) Describe how the method is used in catching fish. (5 marks)
- (ii) List **three** methods used to preserve fish. (3 marks)

312/2  
GEOGRAPHY  
Paper 2  
Oct./Nov. 2007

THE KENYA NATIONAL EXAMINATIONS COUNCIL  
Kenya Certificate of Secondary Education  
GEOGRAPHY  
Paper 2

Photograph for Question 6 (a) and (b)

