

Question 2

- (a) Figure 2 shows orthographic views of an engineering block. Draw an isometric view of the bracket as seen in the direction of arrow X. [10 Mks]

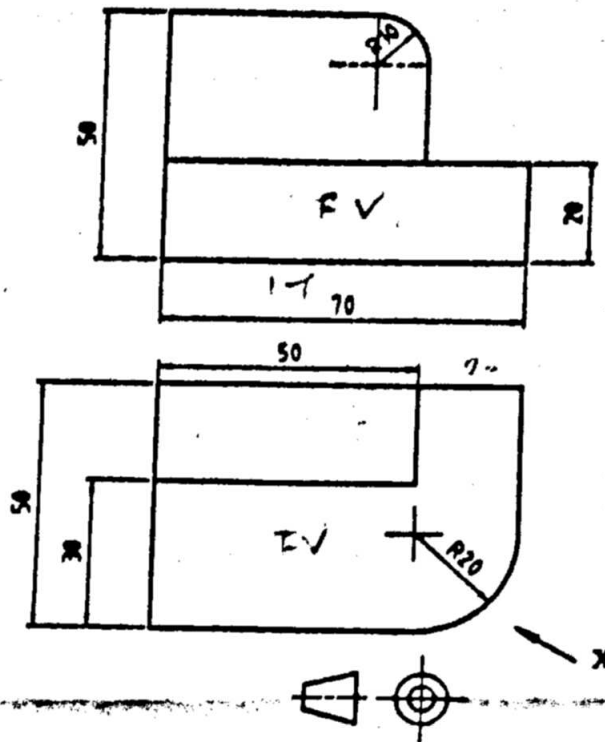


Figure 2:

- (b) Figure 3 shows the orthographic views of a milling machine tensioner. Draw an oblique view of the object in cabinet projection with face F towards the front. Use a receding angle of 30°. [10 Mks]

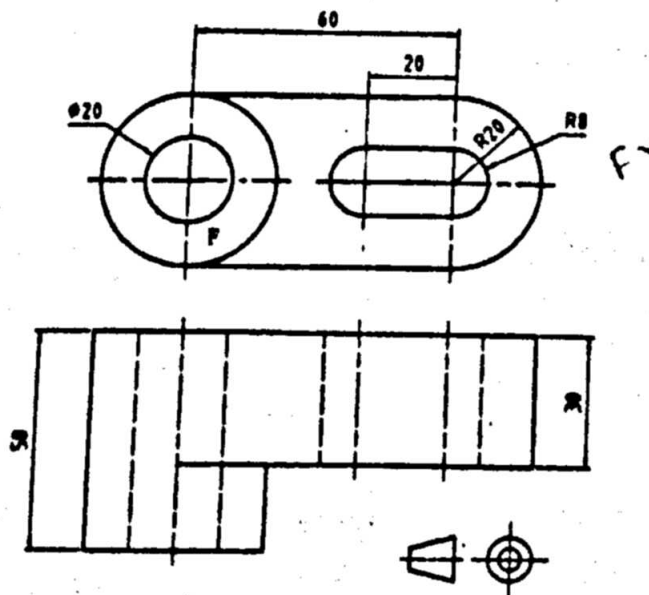


Figure 3: