

Instructions

Attempt both questions.

All dimensions are in millimeters unless otherwise stated.

Missing and mismatching dimensions may be suitably assumed.

Question 1

Figure 1 shows a pictorial detail of a machine bracket. Draw to full scale, the following views in FIRST ANGLE orthographic projection with all hidden details:

- i. A front elevation obtained by viewing the bracket in the direction of arrow F. [4 Mks]
 - ii. A plan view projected from the front elevation. [4 Mks]
 - iii. A suitable end view. [5 Mks]
- Insert 4 dimensions (a diameter, a radius, a short and a long length) [2 Mks]
Include a projection symbol according to ISO drawing conventions [2 Mks]
Insert a suitable title block [3 Mks]

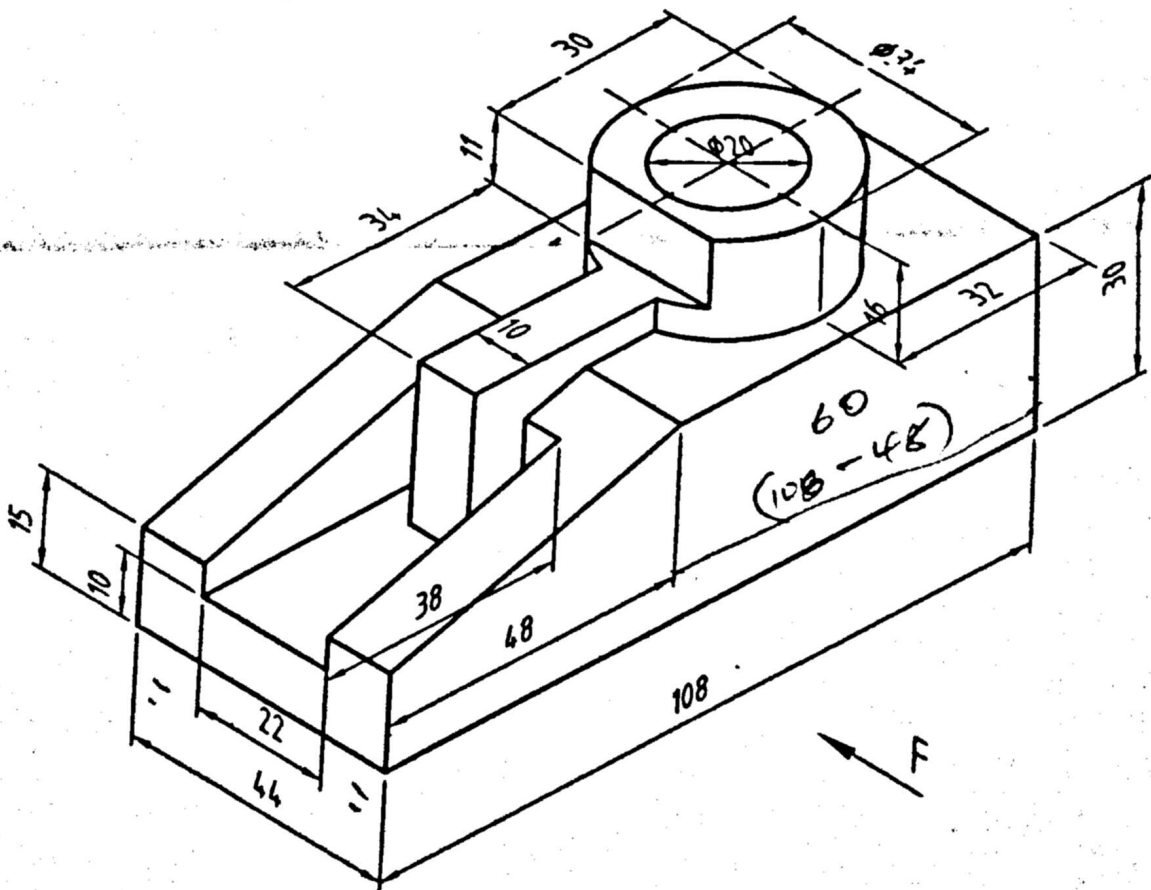


Figure 1: